

# 150 Series

## CompX cabinet eLock Instructions

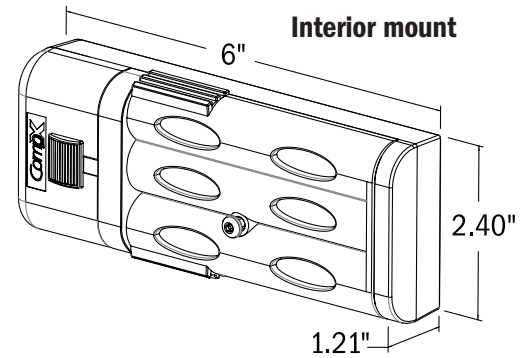
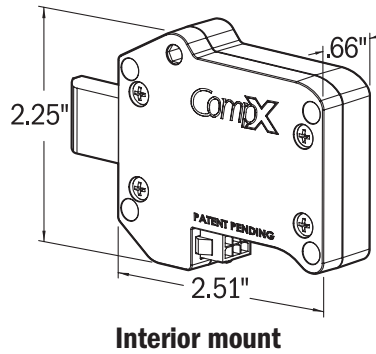
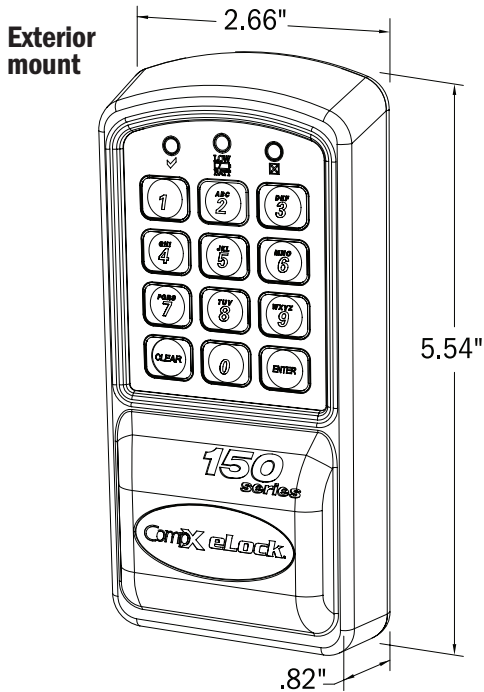
CompX eLock

Thank you for purchasing the CompX eLock. The information contained in these instructions is intended

to serve as a guide so as to allow the eLock to be quickly and easily put into service.

150 series **cabinet** eLock has three components:

**Controller                      Motorized gear-driven latch                      Battery compartment**

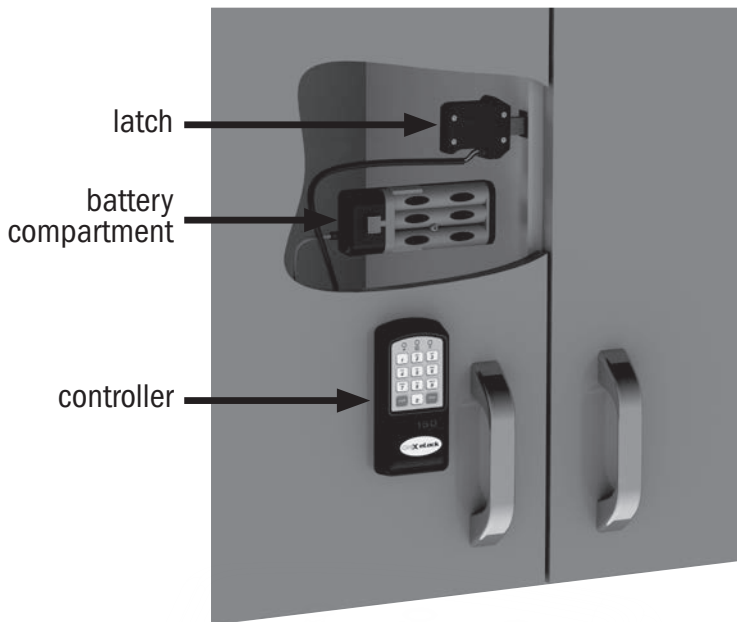


### eLock controller

1. Alpha-numeric keypad
2. "ENTER" button
3. "CLEAR" button
4. HID Prox or HID iCLASS reader location (if equipped)
5. Low battery indicator (yellow LED)
6. ✓ Green LED
7. ☒ Red LED

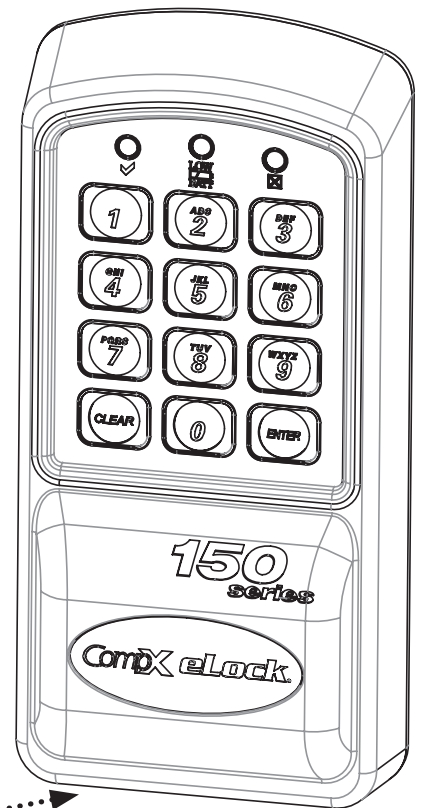


# 150 Series Cabinet eLock – Components

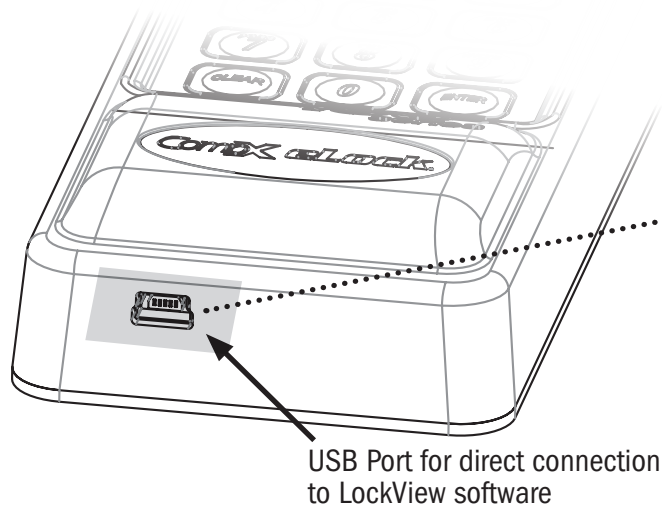


## Installation example

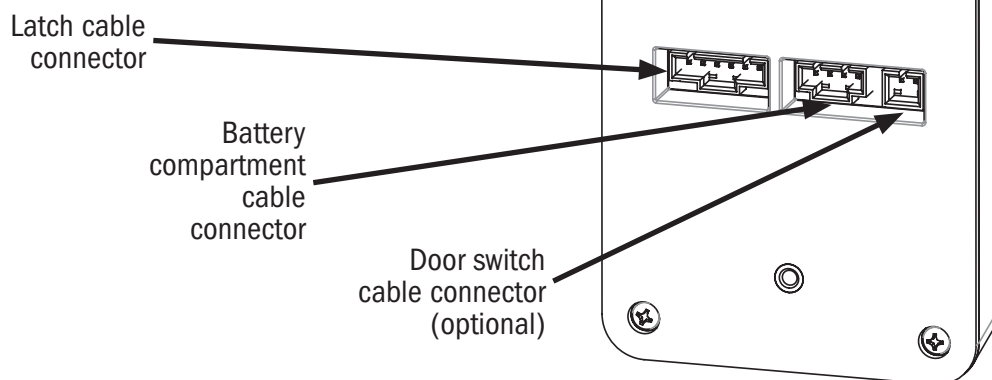
Cabinet door installation shown. eLock can also be installed on drawers.



## Front view: eLock controller



## Back view: eLock controller



**150 Series Cabinet eLock Components**  
continued on page 5

# 150 Series Cabinet eLock – Installation

## Screws to be used for mounting eLock controller:

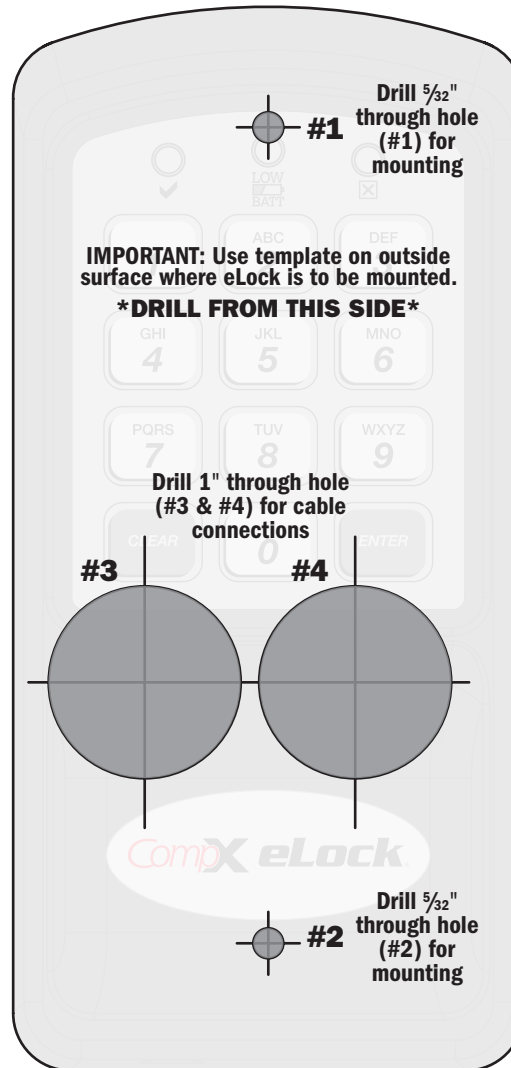
- ◆ 2 - #6-32 x 1/2" philips pan head machine screw mounting screw (use on sheet metal application) - **OR** -
- ◆ 2 - #6-32 x 3/4" philips pan head machine screw mounting screw (**MINIMUM** 5/8" thick application, do not use on sheet metal application)
- ◆ 2 - #6-32 x 1 1/4" philips pan head machine screw mounting screw

**1"**

**WARNING:** Print this page and measure the line above. It is **ONE INCH LONG**. If it measures less than or more than one inch, the template measurements also need to be scaled accordingly.

**FAILURE TO DO SO  
COULD RESULT IN  
MISDRILLED HOLES.**

## 150 Series CompX Cabinet eLock Controller Mounting Template



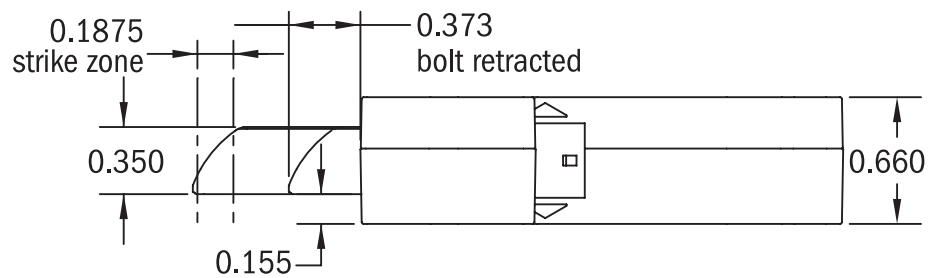
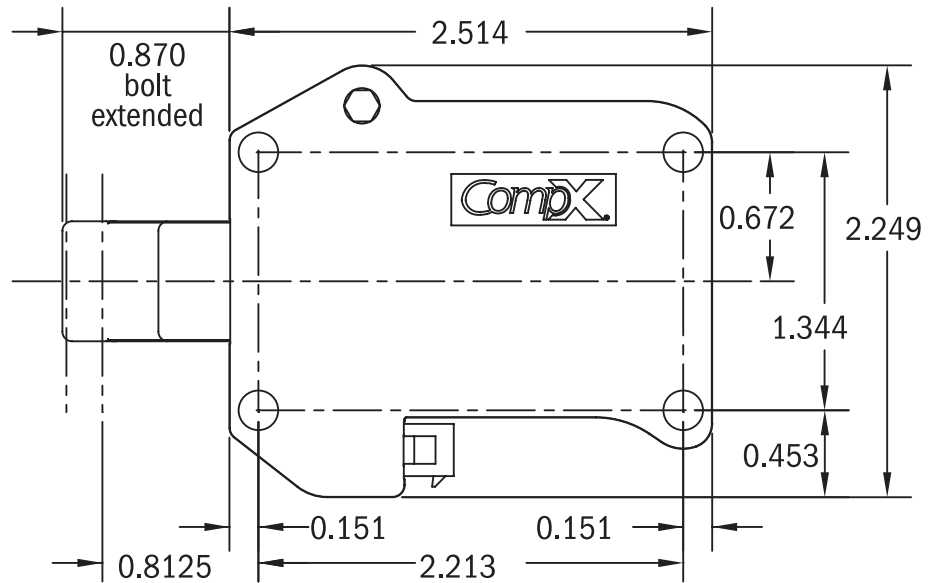
**TEMPLATE ON  
OPPOSITE PAGE**

**Screws to be used for mounting eLock latch:**

- ◆ 4 - #10 x 1¼" philips pan head wood screw for mounting motorized latch

**150 Series  
CompX Cabinet eLock**  
Latch Mounting Template

**1"**  
**WARNING:** Print this page and measure the line above. It is **ONE INCH LONG**. If it measures less than or more than one inch, the template measurements also need to be scaled accordingly.  
**FAILURE TO DO SO COULD RESULT IN MISDRILLED HOLES.**



**TEMPLATE ON  
OPPOSITE PAGE**

# 150 Series Cabinet eLock – Instructions

## Unit Features:

- ◆ Each eLock can hold any combination of up to 250 Supervisors and Users
- ◆ Choose a model to use existing HID Prox or HID iCLASS credentials that can be programmed to operate each eLock
- ◆ Spring bolt latching mechanism provides automatic relocking
- ◆ Optional second latch splitter (requires additional hardware)
- ◆ Door position switch input (requires additional hardware)
- ◆ Membrane keypad provides durable performance and easy cleaning

## What's in the box?

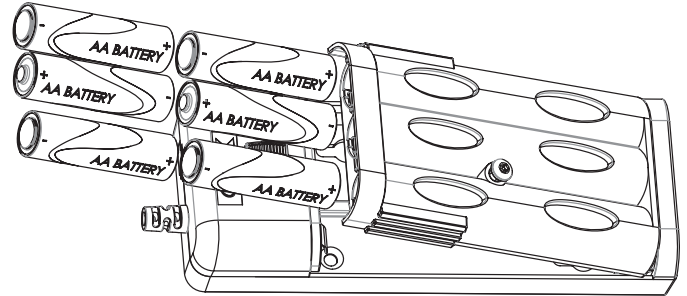
- ◆ 1 – eLock controller
- ◆ 1 – motorized latch w/latch cable
- ◆ 1 – battery compartment
- ◆ 2 – #6 x ½" philips pan head wood screw for mounting battery compartment
- ◆ 4 – #10 x 1½" philips pan head wood screw for mounting motorized latch
- ◆ 2 – #6-32 x ½" philips pan head machine screw for mounting controller
- ◆ 2 – #6-32 x ¾" philips pan head machine screw for mounting controller
- ◆ 2 – #6-32 x 1¼" philips pan head machine screw for mounting controller
- ◆ 2 – #6 lockwasher for mounting eLock controller
- ◆ 1 – warranty card
- ◆ 1 – serial code sticker set (keep in a secure location)
- ◆ 1 – in-box instructions

## What's needed?

- ◆ 6 – premium brand AA alkaline batteries
- ◆ Drill
- ◆ #2 philips head bit
- ◆ 5/32" drill bit for through holes to mount eLock controller
- ◆ 1" drill bit for through holes required for cable connections
- ◆ T15 pin-in Torx (6-lobe) bit or driver (secures battery compartment)

## Care and Cleaning

The eLock is a battery operated device, therefore, it should be part of a regular battery maintenance program.



Warning: install the batteries as shown in the battery compartment. Polarity (+) or (-) must be correct. Replace batteries as a set. Always use new batteries when replacing the old set. Do not combine a used battery with a new one. Only use premium alkaline batteries; do not mix battery types.

To clean the surface of the eLock controller, apply non-acid based cleaner to a clean cotton cloth; do not spray cleaner directly on the controller. Wipe down keypad and housing taking care around the beeper opening and edges of keypads. Wipe excess cleaner off of all surfaces.

## Setting up the eLock

### CONNECTING THE COMPONENTS:

1. Attach the battery cable to the connector on the back of the eLock controller.
2. Attach latch cable terminal to latch connector and the other end to the latch. (See diagram on page 2 for connector locations.)
3. Install 6 AA alkaline batteries. (not included)

# 150 Series Cabinet eLock – Manual Programming

## **GETTING STARTED**

The eLock is shipped with no PIN or if equipped card credentials.

There are 2 levels of credential: User / Supervisor.

Only a Supervisor credential(s) is allowed to manual program

Note: Green LED on reader will flash upon presenting a valid Supervisor level credential, whereas a solid green LED upon presenting a User level credential

## **INITIAL PROGRAMMING OUT OF THE BOX or AFTER A FACTORY RESET HAS BEEN PERFORMED**

(See page 9 for FACTORY RESET instructions)

1. Press and hold “ENTER” until the beeping stops
2. Enter PIN (4 to 14 digits) and press “ENTER” or present card (if equipped)

This PIN / card is now a Supervisor level credential occupying slot 001

The maximum number of slots per eLock is 250

### **TO ADD A USER**

1. Input a valid Supervisor PIN and press “ENTER” or present valid Supervisor card
2. Press and hold “ENTER” until beeping stops
3. Input the new User PIN and press “ENTER” or present new User card

### **TO ADD A SUPERVISOR**

1. Input a valid Supervisor PIN and press “ENTER” or present valid Supervisor card
2. Press and hold “ENTER” until beeping stops
3. Press and hold “ENTER” again until beeping stops
4. Input new Supervisor PIN and press “ENTER” or present NEW Supervisor card

### **TO DELETE A USER OR SUPERVISOR**

1. Input a valid Supervisor PIN and press “ENTER” or present valid Supervisor card
2. Press and hold “CLEAR” until beeping stops
3. Input the PIN to be deleted and press “ENTER” or present existing card to be deleted

### **TO ADD A USER WITH A SPECIFIC SLOT ASSIGNMENT**

1. Input a valid Supervisor PIN and press “ENTER” or present valid Supervisor card
2. Press and hold “ENTER” until beeping stops
3. Enter slot number that will be assigned to user and press (Example: to program slot 18 type 018)
4. Input the new PIN (4 digit min) and press “ENTER” or present NEW card

### **TO DELETE A USER WITH A SPECIFIC SLOT ASSIGNMENT**

1. Input a valid Supervisor PIN and press “ENTER” or present valid Supervisor card
2. Press and hold “CLEAR” until beeping stops
3. Enter slot number to be cleared and press “ENTER” (example: to clear slot 6 type 006)
4. Enter slot number to be cleared again and press “ENTER” (example: to clear slot 6 type 006)



# 150 Series Cabinet eLock – Operation

---

## **OPERATION INSTRUCTIONS**

Follow the below instructions to open the eLock

**KEYPAD:** Enter in a valid PIN (4 to 14 digits) and press “ENTER”.

**CARD:** If the eLock is also equipped with a card reader (HID Prox or HID iCLASS), present a valid card.

**DUAL CREDENTIAL:** If the valid Supervisor/User is a dual credential (programmable only in LockView) enter the first credential (PIN or card) and then enter the second credential (PIN) and press “ENTER”. Note the second credential must be a 4 to 14 digit PIN.

The latch bolt will extend automatically after the factory default time or custom programmed time as set in LockView has expired - press “CLEAR” to extend bolt immediately.

**LOW BATTERY:** Low battery light (LOW BATT) will illuminate.

**SETUP MODE:** Required to allow the eLock to be added to LockView software and to perform a FACTORY RESET. Press and hold “CLEAR” until the audible beeping stops. Enter the SETUP CODE (Setup Cd) and press “ENTER”. See green sticker set for setup code.

### **FACTORY RESET**

**WARNING: FACTORY RESET will delete all previously programmed credentials**

With the eLock in SETUP MODE, while pressing and holding “CLEAR”, press and continue to hold “8” and then press “6”. The eLock will make a short series of audible major tones and the green LED will blink continuously. Programming can begin again as if the eLock was “OUT OF THE BOX” (see page 8).

# 150 Series Cabinet eLock – Database

## Methods to begin building a database of eLocks in CompX's LockView Software

**Note:** Supervisor, User and parameter changes that already exist in the eLock will automatically be carried into LockView once the eLock has been enrolled.

### LockView Mode Instructions

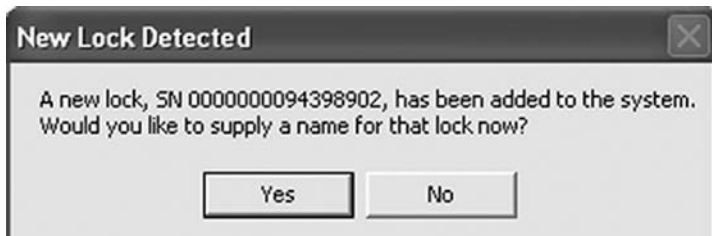
(For complete details on how to build a database of users and eLocks, see the *CompX LockView Software Instruction Manual* and *CompX eLock Manual Programming Guide*)

CompX LockView Software v5 must be installed and the eLock must be in **SETUP** mode before continuing. See page 9 for Setup Mode Instructions.

**Stand-alone eLocks (Direct USB connection to laptop computer with LockView is required)** There are two methods that can be used to add eLocks to the LockView software.

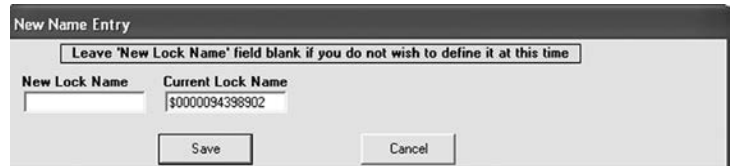
#### Automatic Method

1. With the eLock in **SETUP** mode, connect the eLock via the USB cable to the computer on which LockView is installed.
2. Login to LockView.
3. After 30 seconds, the below will appear.



**NOTE:** After 5 minutes of inactivity, the eLock will exit **SETUP** mode.

4. Click **Yes**.
5. The below will appear. Type in the name of the lock.



6. Click **Save** when done.
7. Go to **Lock Editor** tab in **Lock/User Editor**.
8. Left click to highlight the name of the lock and then click **Edit Lock**.
9. Verify and/or adjust all other lock parameters. (**See LockView Instruction Manual for complete details.**)
10. Click **OK** when done.

#### Manual Method

1. Login to LockView.
2. Go to **Lock/User Editor; Lock Editor** tab and click **Add Lock**.
3. Enter the required information: **Lock Name; Lock Serial Number** and **Setup Code** (supplied on green sticker set as Setup Cd).
4. Verify and/or adjust all other lock parameters and click **OK**. (**See LockView Instruction Manual for complete details on these options**)
5. With the eLock in **SETUP** mode, connect the eLock via the USB cable to the computer on which LockView is installed.
6. After 30 seconds, the lock will be updated in LockView. Click **Refresh** to prompt the update.

**NOTE:** After 5 minutes of inactivity, the eLock will exit **SETUP** mode.

# Notes

---

# 150 Series Cabinet eLock – Accessories



## **HID® Prox User, Supervisor Card**

Part Number:  
**EL-2004-PC** (no logo)

**EL-ICLASS-C**  
(HID iCLASS user, supervisor card)



## **LockView® Software Kit**

(1 LockView® travel drive, 1 USB cable)

Part Number:  
**LOCKVIEW-5PRO**



## **HID® Prox Tag**

Part Number:  
**EL-2004-PT**

**EL-ICLASS-T**  
(HID iCLASS tag)



## **Bit**

Part Number:  
**EL-BIT-15**



## **Screwdriver**

Part Number:  
**EL-DRV-15**

Note: product images are not to scale.

HID is a trademark of HID Corporation.

## **LockView® software**

- Add, edit, view and delete users / supervisors and their credentials
- Add, edit and delete CompX eLocks®
- Assign access rights between users / supervisors and CompX eLocks® in the database
- Download, view, save, print, archive and delete audit trails
- Dual credential access available
- Set real time clock
- Time based access restrictions
- Create user groups
- Windows™ based
- Dual Latch access available (second latch required and not included)

LockView is a Registered Trademark of CompX International. Windows is a trademark of the Microsoft Corporation. Specifications may vary based on user application.



Part #: 33391100000

Copyright 2016 © CompX Security Products / 847.752.2500 / compx.com / 715 Center St., Grayslake, IL 60030  
Any companies and/or products referred to herein are marks or registered trademarks of their respective companies, owners and/or mark holders.

