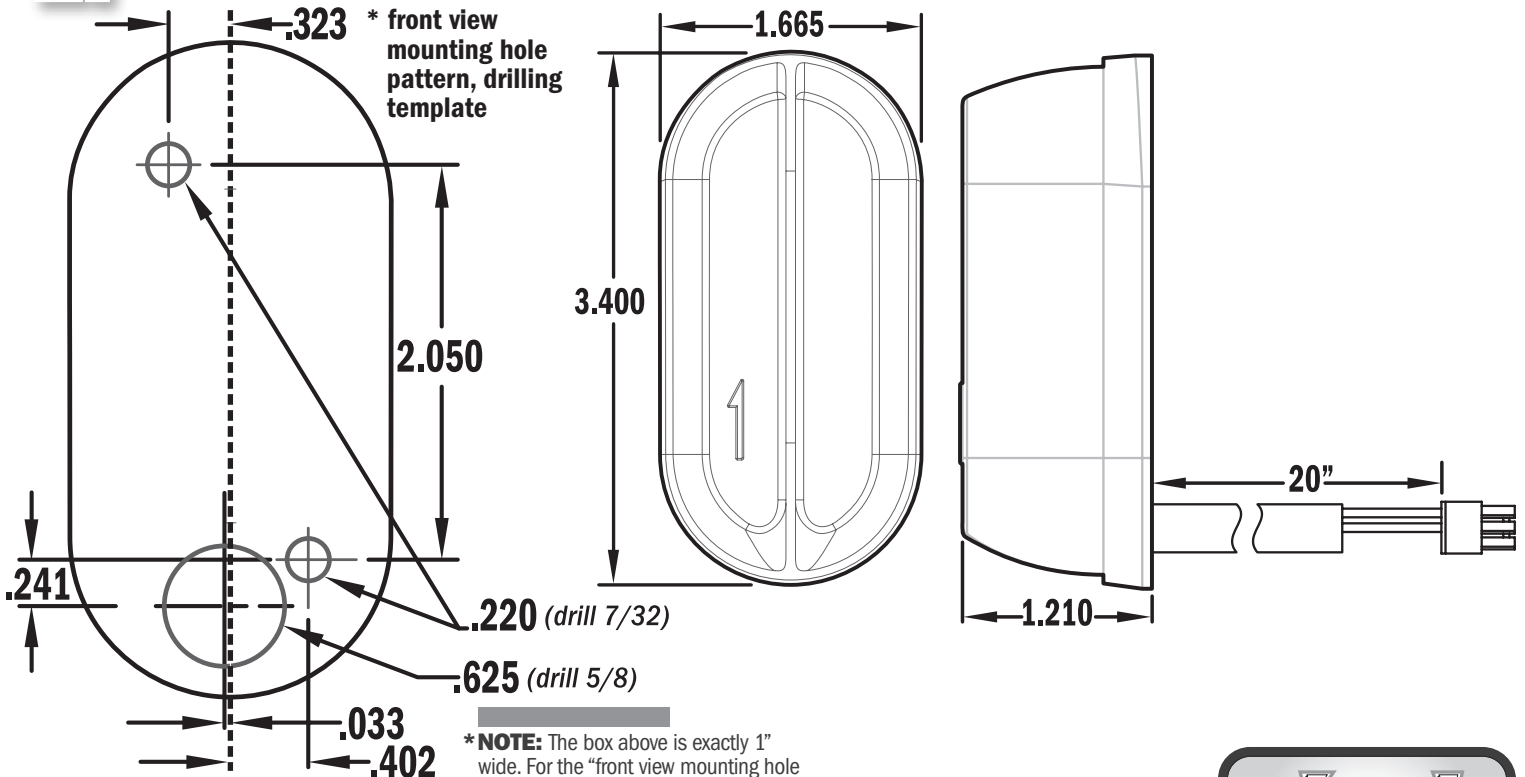


# Dimensions/Mounting CompX eLock® Pods

CompX eLock®

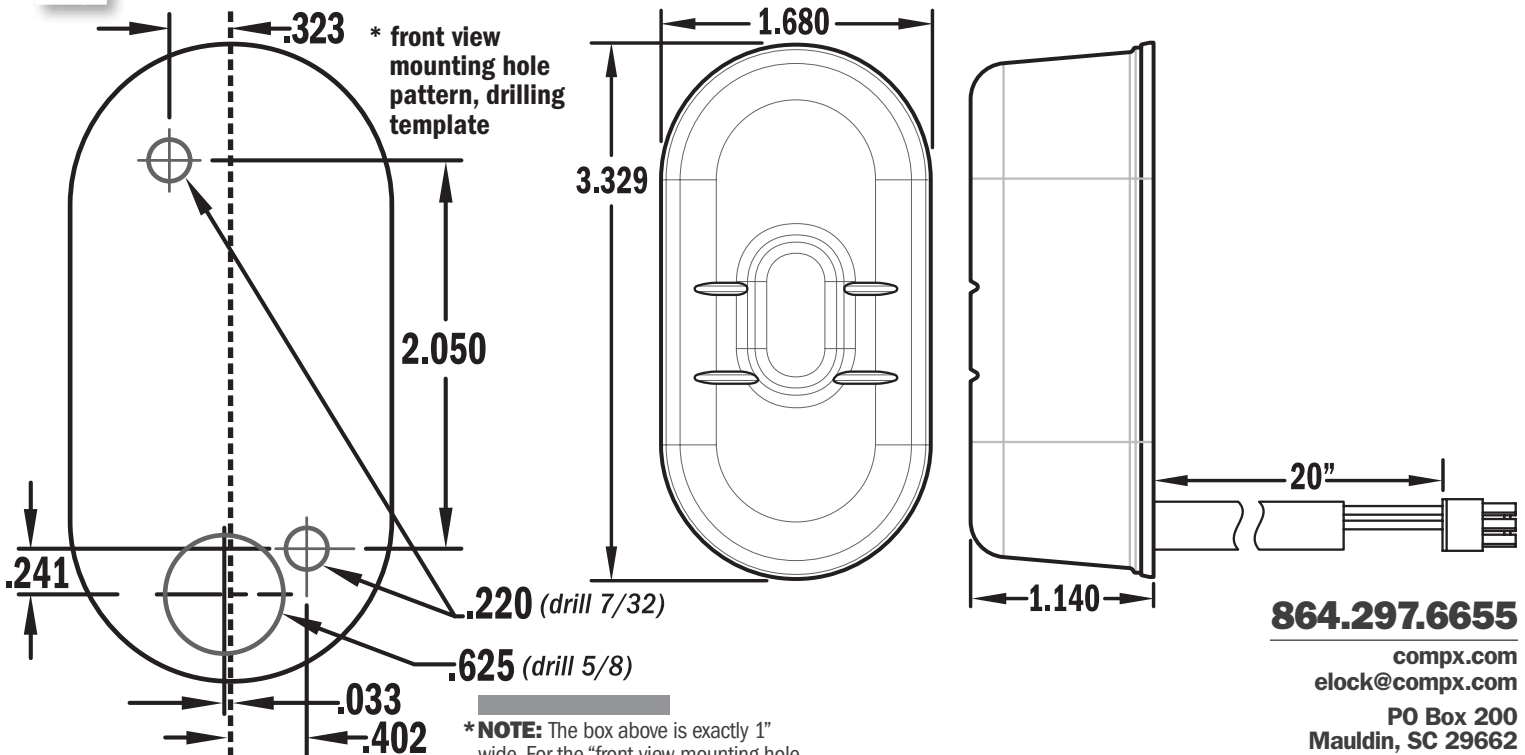
## Option 1: Mounting a magstripe card reader pod



\*NOTE: The box above is exactly 1" wide. For the "front view mounting hole pattern, drilling template" ONLY, use the box to scale up or down your measurements.

**eLock**  
TECHNICAL HOTLINE  
**847-752-2525**  
M-F: 8 a.m.-5 p.m. Central

## Option 2: Mounting a proximity card reader pod



\*NOTE: The box above is exactly 1" wide. For the "front view mounting hole pattern, drilling template" ONLY, use the box to scale up or down your measurements.

**864.297.6655**

compX.com  
elock@compX.com

PO Box 200  
Mauldin, SC 29662

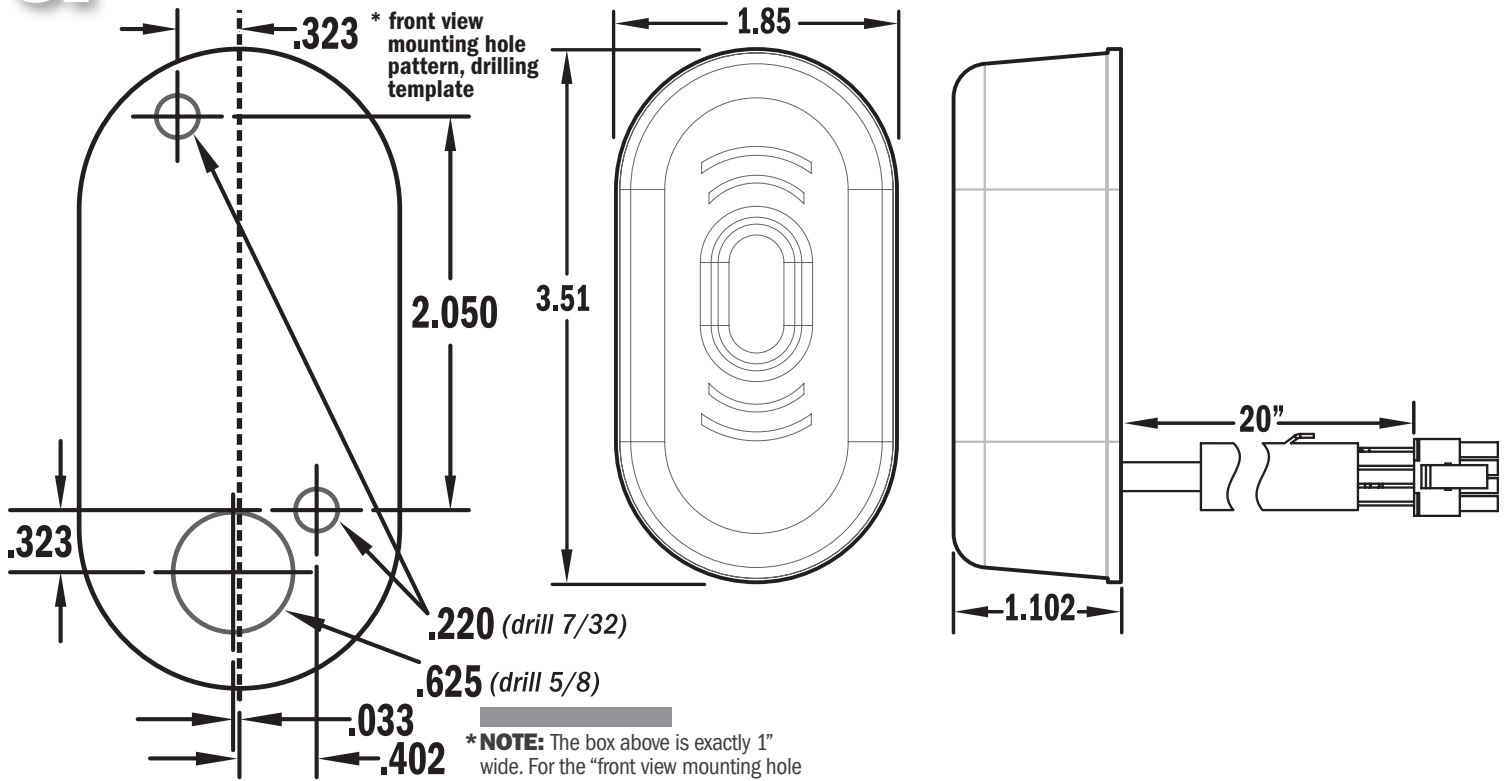
# Dimensions/Mounting CompX eLock® Pods

CompX eLock®

Option

3

## Mounting an iCLASS card reader pod



**\* NOTE:** The box above is exactly 1" wide. For the "front view mounting hole pattern, drilling template" ONLY, use the box to scale up or down your measurements.



864.297.6655

compX.com  
elock@compX.com

PO Box 200  
Mauldin, SC 29662

Copyright © 2013 CompX Security Products